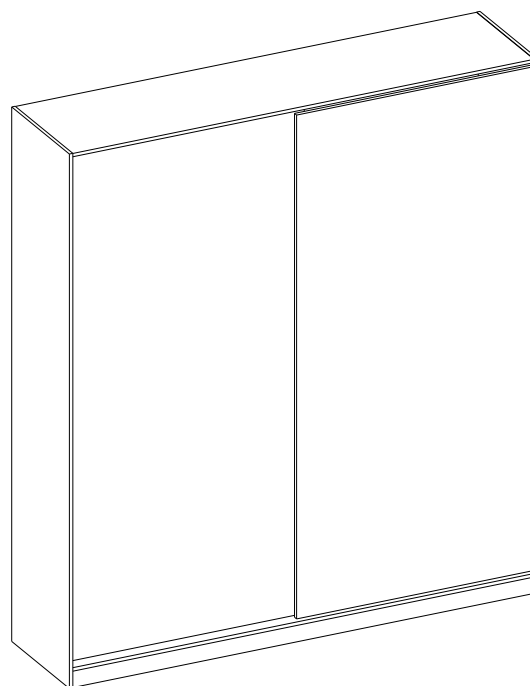
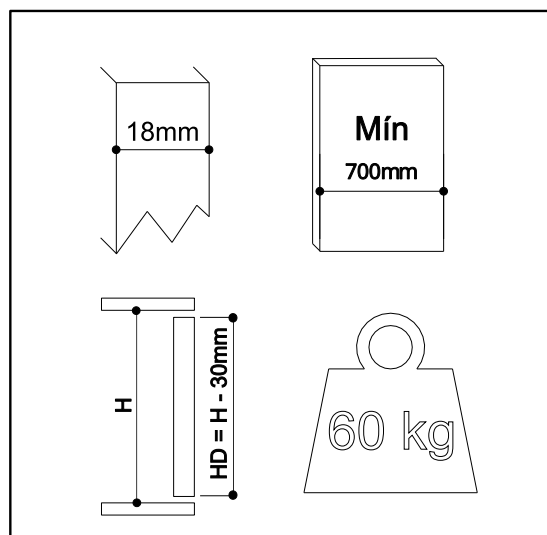


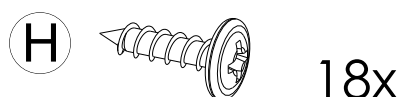
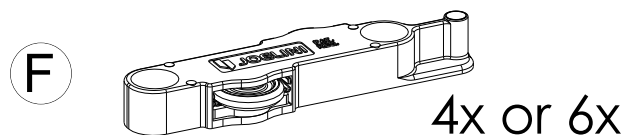
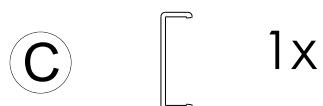
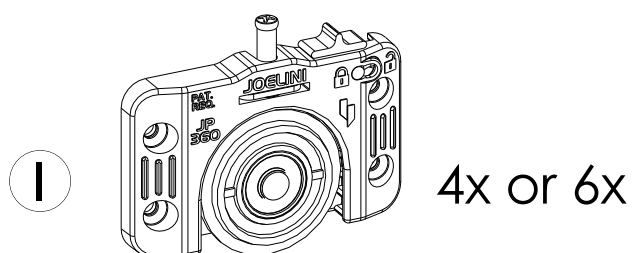
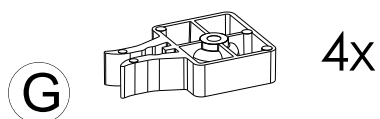
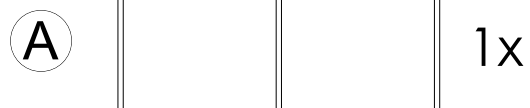
Manual de Montagem

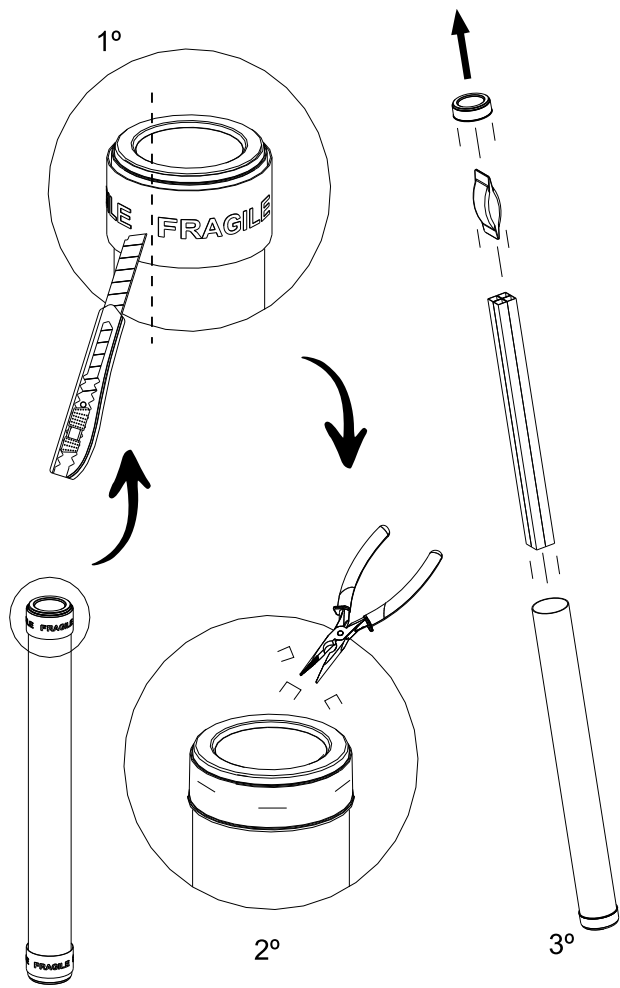
Manual de montaje
Assembly Guide



Composição

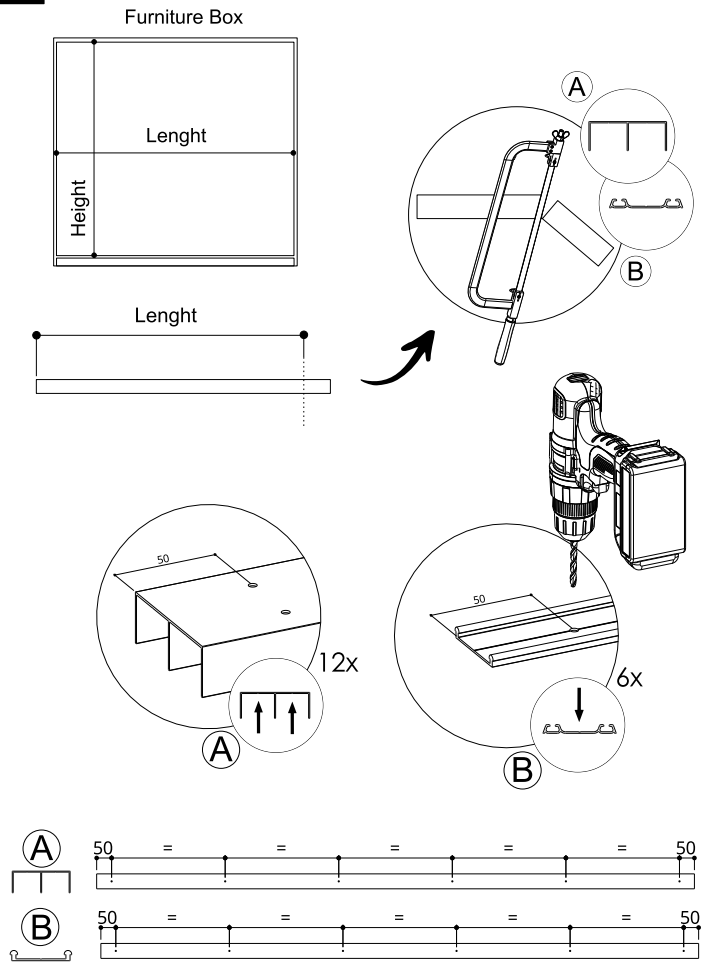
Composición/ Composition



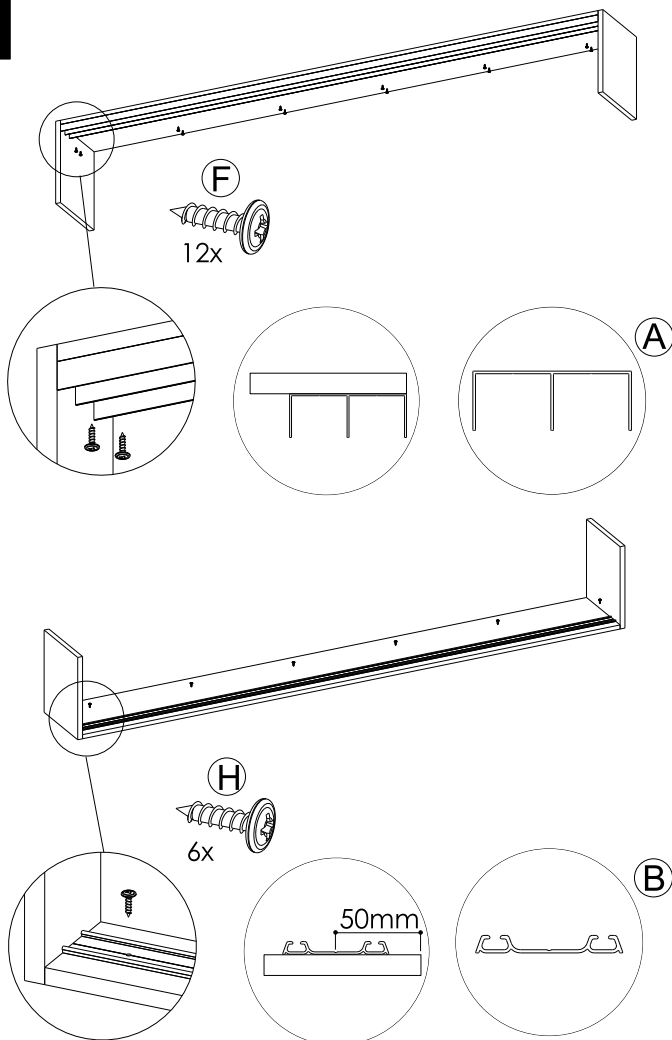


1

Aluminum Rail

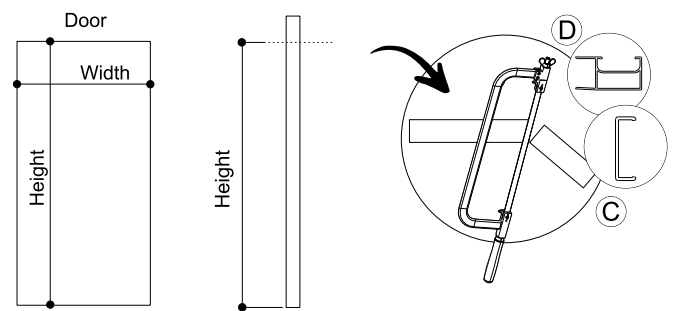


2

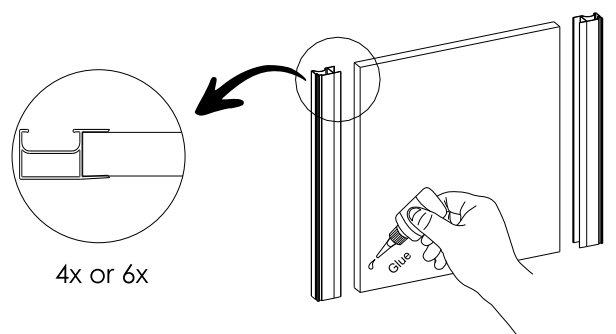


3

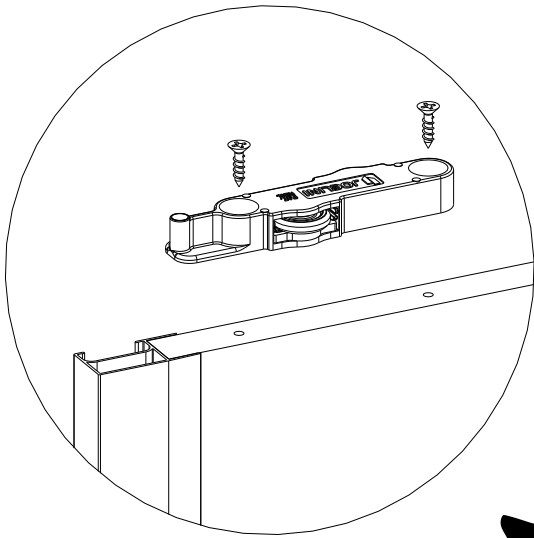
Aluminum Handle



Door

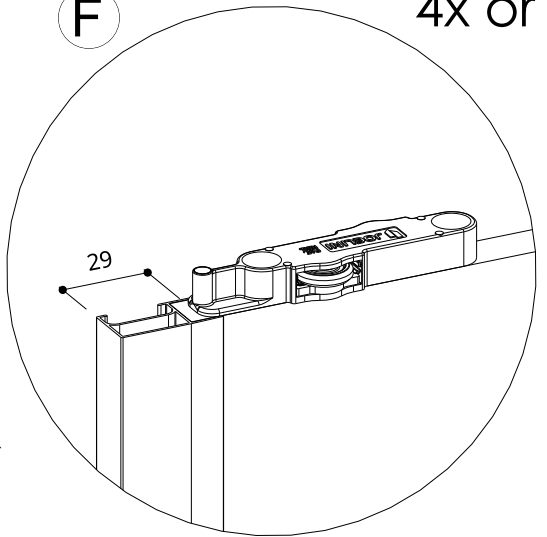


4

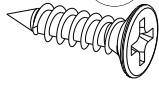


F

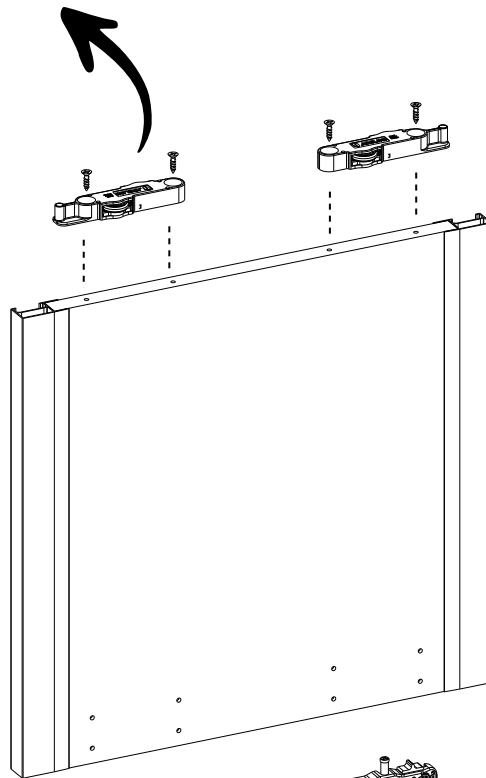
4x or 6x



E

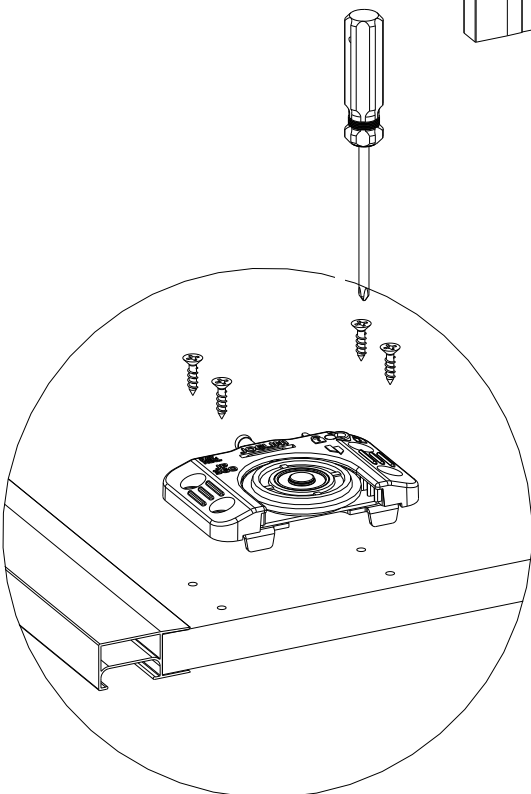


8x or 12x

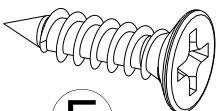


4x or 6x

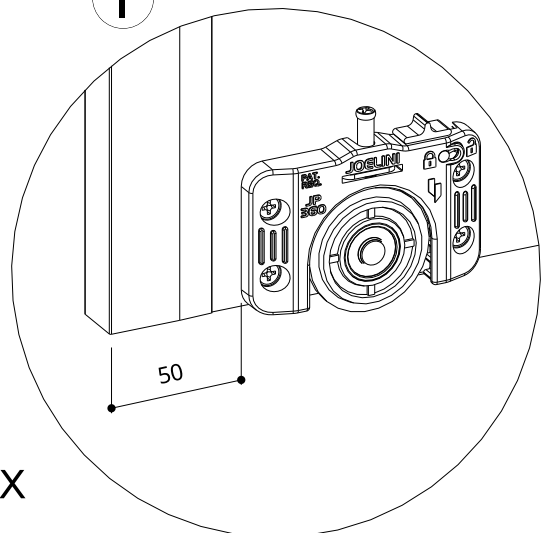
I



E



16x or 24x



5

